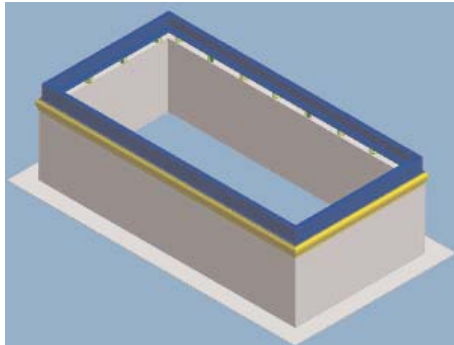
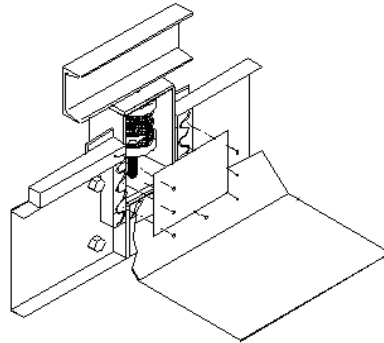


Vibration Isolation Systems

Simply print out this page, provide the information requested, fax it to us at 860-848-0503, and we will get back to you promptly with pricing and delivery information



Model CFSR Curb



Model CFV Curb

Also, please fax us the specification for your spring isolation curb or curbs, if available.

Model CFSR Curbs:

No. curbs required _____

Air handler manufacturer _____ Model no. _____ Unit weight _____

Static deflection desired: ___ 1" ___ 2"

Seismic Zone requirement? ___ yes ___ no. Zone of job site _____

Model CFV Curbs:

No. curbs required _____

Air handler manufacturer _____ Model no. _____ Unit weight _____

Static deflection desired: ___ 1" ___ 2"

Seismic Zone requirement? ___ yes ___ no. Zone of job site _____

Information about options available will be provided.

Delivery required: weeks _____

Include freight? Yes _____ City _____ State _____

Name _____ Title _____

Company _____

Address _____

City _____ State _____ Zip _____

Phone _____ Fax _____ E-mail _____

Comments _____
