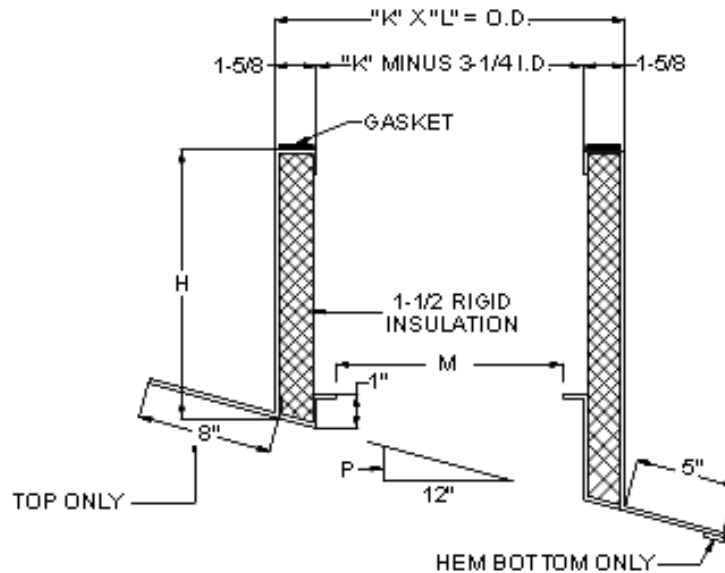


## 3000-MPS Curbs for *pitched* shingled or asphalt roofs

Simply print out this page, provide the information requested, fax it to us at 860-848-0503, and we will get back to you promptly.



DIMENSIONAL DATA						
QTY	K*	L	H	P	MATERIAL	TAG

\*Use K as outside dimension for square curbs, shorter dimension for rectangular curbs.

Special features required?  yes Describe \_\_\_\_\_

Name \_\_\_\_\_ Title \_\_\_\_\_

Company \_\_\_\_\_

Address \_\_\_\_\_

City \_\_\_\_\_ State \_\_\_\_\_ Zip \_\_\_\_\_

Phone \_\_\_\_\_ Fax \_\_\_\_\_ E-mail \_\_\_\_\_

Comments \_\_\_\_\_

\_\_\_\_\_

\_\_\_\_\_

\_\_\_\_\_