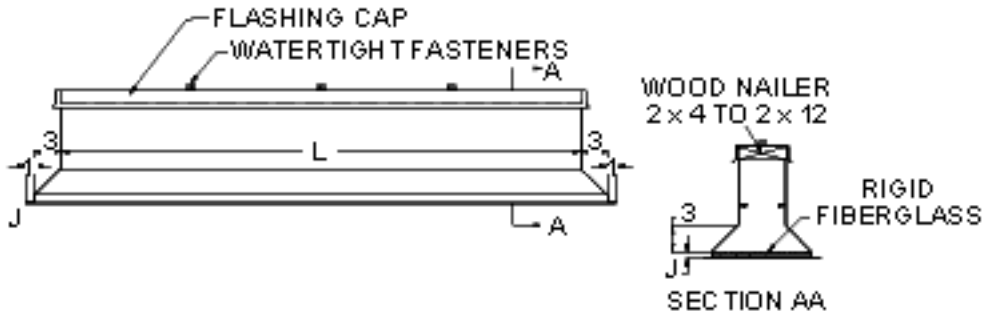


## Series 200 Equipment support for insulated built-up roofs

Simply print out this page, provide the information requested, fax it to us at 860-848-0503, and we will get back to you promptly with pricing and delivery information.



DIMENSIONAL DATA					
QTY	L	W	J	MATERIAL	TAG

Delivery required: weeks \_\_\_\_\_

Include freight? Yes \_\_\_\_\_ City \_\_\_\_\_ State \_\_\_\_\_

\_\_\_\_\_ Expansion joints. Check here for information on Conn-Fab expansion joints.

Name \_\_\_\_\_ Title \_\_\_\_\_

Company \_\_\_\_\_

Address \_\_\_\_\_

City \_\_\_\_\_ State \_\_\_\_\_ Zip \_\_\_\_\_

Phone \_\_\_\_\_ Fax \_\_\_\_\_ E-mail \_\_\_\_\_

Comments \_\_\_\_\_

\_\_\_\_\_

\_\_\_\_\_

\_\_\_\_\_

\_\_\_\_\_